

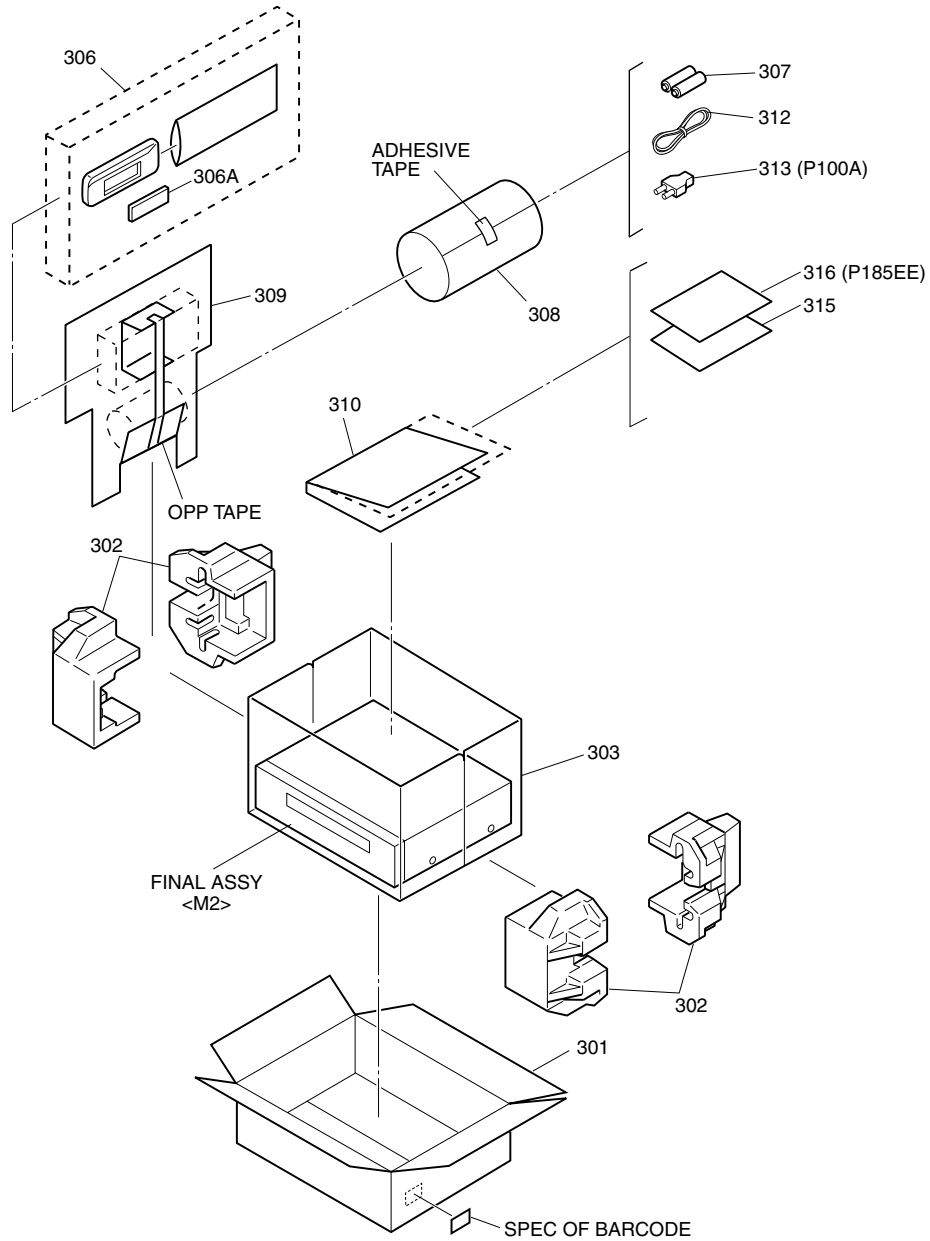
SECTION 5 PARTS LIST

SAFETY PRECAUTION

Parts identified by the \triangle symbol are critical for safety. Replace only with specified part numbers.

5.1 PACKING AND ACCESSORY ASSEMBLY <M1>

The instruction manual to be provided with this product will differ according to the destination.



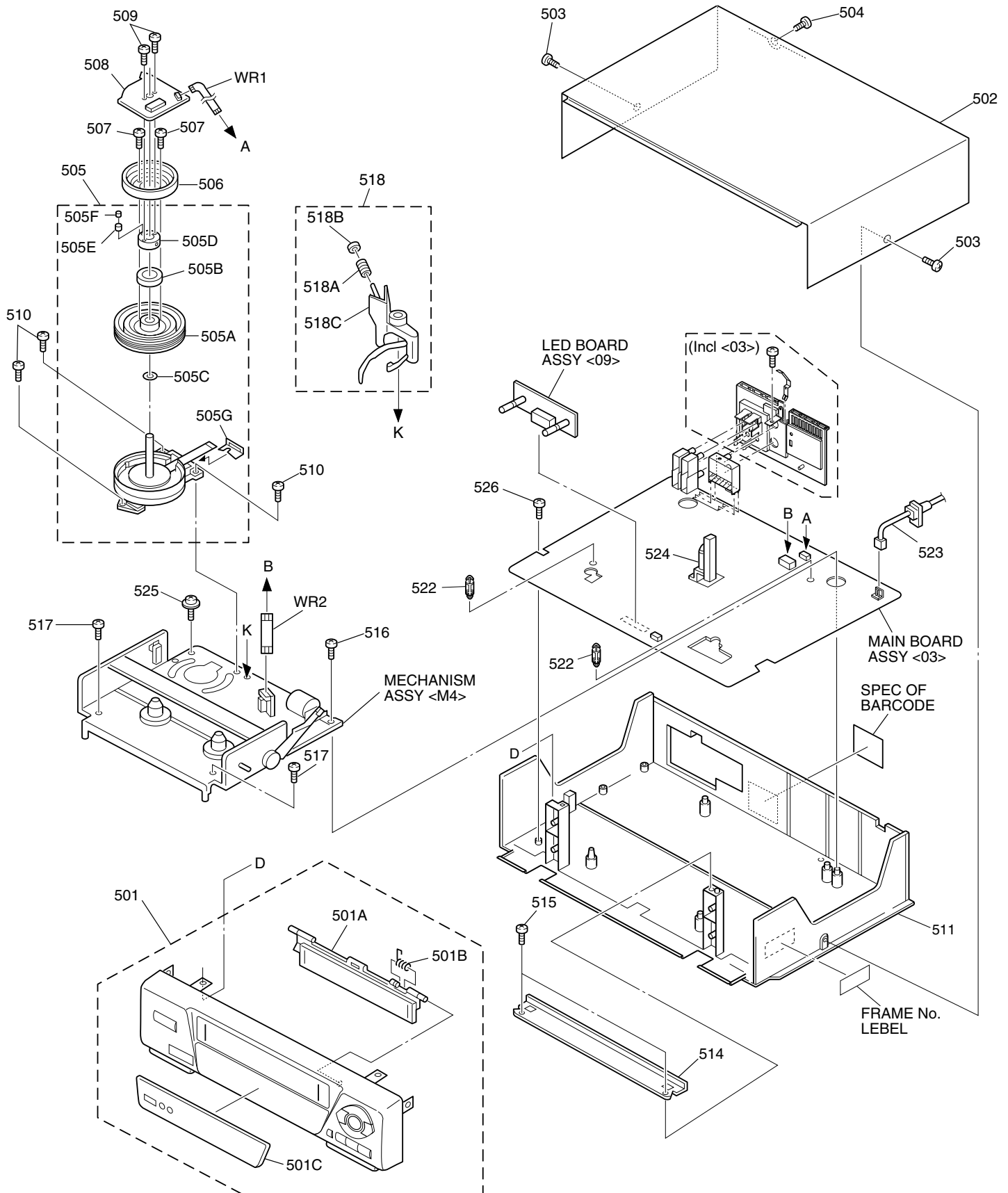
# \triangle REF No.	PART No.	PART NAME, DESCRIPTION	# \triangle REF No.	PART No.	PART NAME, DESCRIPTION

PACKING AND ACCESSORY ASSEMBLY <M1>					
301	LP30488-012A	PACKING CASE,P54A	308	QPC02202230P	POLY BAG
	LP30488-014A	PACKING CASE,P100A	309	PQ35575-1-1	SHEET(REMOTE CONTROLLER)
	LP30488-016A	PACKING CASE,P185EE	\triangle 310	LPT0457-001A	INST.BOOK(EN),P54A
302	LP30701-001A	CUSHION ASSY	\triangle	LPT0457-002A	INST.BOOK(RU),P54A
303	PQM30021-92	POLY BAG	\triangle	LPT0458-001A	INST.BOOK(EN),P100A
306	LP30767-001A	REMOTE CONTROLLER	\triangle	LPT0458-002A	INST.BOOK(RU),P100A
306A	LP40689-001A	COVER(BATTERY)	\triangle	LPT0458-003A	INST.BOOK(AR),P100A
307	-	BATTERY,X2("R6"TYPE),P100A/P54A	\triangle	LPT0461-001A	INST.BOOK(RU),P185EE
			312	PEAC0348-02	RF CABLE
			\triangle 313	PEMC1012	CONVERSION PLUG,P100A
			315	LPT0457-003A	SHEET(ATT.)
			316	BT-54012-1	WARRANTY CARD,P185EE

5.2 FINAL ASSEMBLY <M2>

BEWARE OF BOGUS PARTS

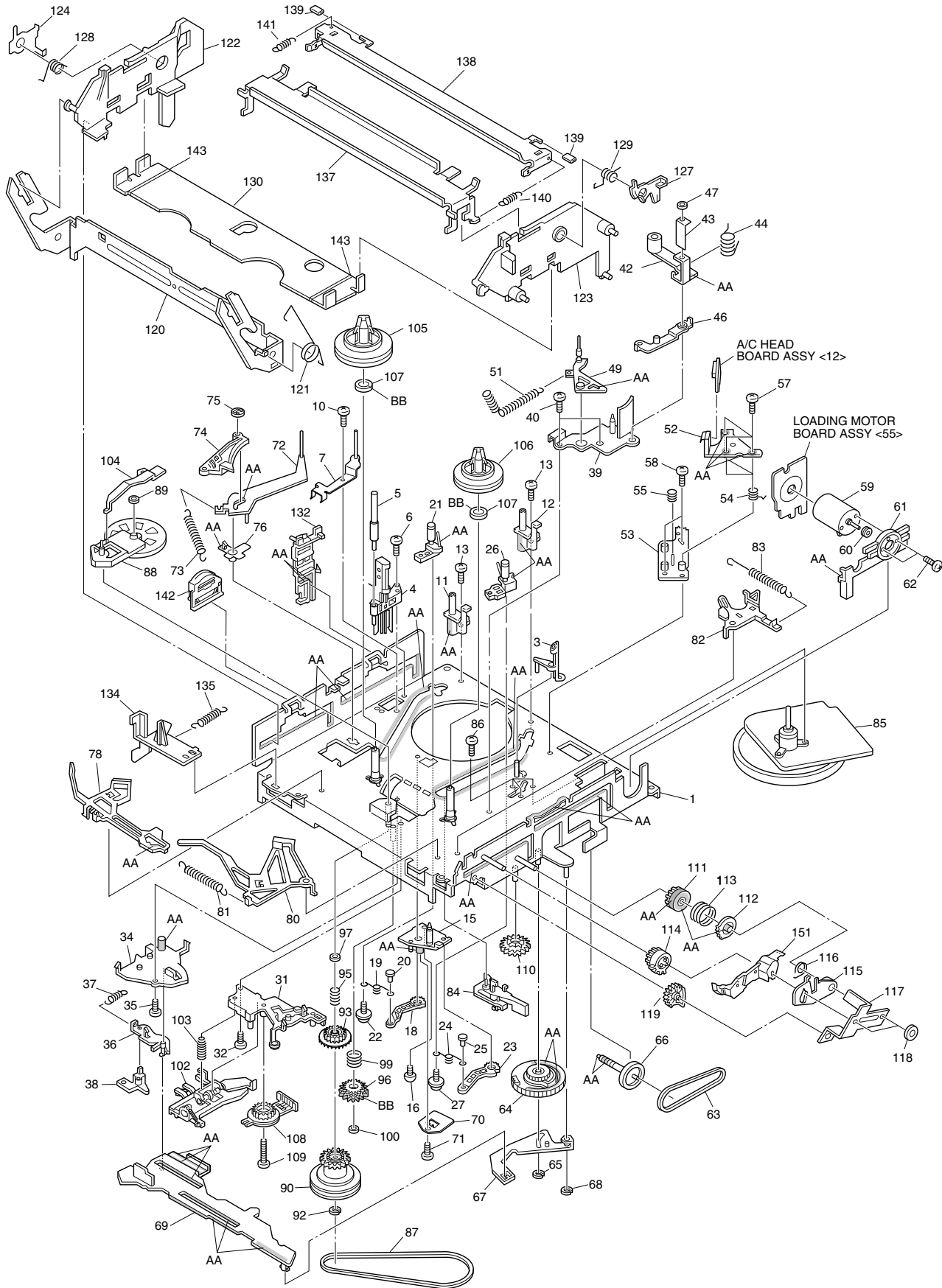
Parts that do not meet specifications may cause trouble in regard to safety and performance. We recommend that genuine JVC parts be used.



#	△ REF No.	PART No.	PART NAME, DESCRIPTION	#	△ REF No.	PART No.	PART NAME, DESCRIPTION

FINAL ASSEMBLY <M2>							
△	501	LP10311-005A	FRONT PANEL ASSY,P54A				
△		LP10311-006A	FRONT PANEL ASSY,P100A				
△		LP10311-009B	FRONT PANEL ASSY,P185EE				
	501A	PQ21884-169	CASSETTE DOOR,P100A/P54A				
		PQ21884-170	CASSETTE DOOR,P185EE				
	501B	PQ46448	TORSION SPRING				
	501C	LP20930-001A	DISPLAY WINDOW,P54A				
		LP20930-002A	DISPLAY WINDOW,P100A				
		LP20930-005A	DISPLAY WINDOW,P185EE				
△	502	PQ11898-48	TOP COVER				
	503	QYTDSF3010R	SCREW,X2 TOP COVER(SIDE)				
	504	QYTDSF3010M	SCREW,TOP COVER(REAR)				
	505	LP20617-005A	DRUM SUB ASSY,P100A/P54A				
		LP20617-009A	DRUM SUB ASSY,P185EE				
	505A	LP20084-003A	UPPER DRUM ASSY,P100A/P54A				
		LP20084-005A	UPPER DRUM ASSY,P185EE				
	505B	PDM4439	CAP				
	505C	PDM4444-19-2	WASHER				
	505D	LP40572-001A	COLLAR ASSY				
	505E	LP40323-001A	CONTACT				
	505F	LP30004-014A	COMPRESSION SPRING				
	505G	LP40174-001B	FPC PLATE				
	506	PDZ0179-1-4	ROTOR ASSY				
	507	QYSPSP3006Z	SCREW,X2				
△	508	QAR0119-001	STATOR ASSY				
	509	QYSPSPH2606Z	SCREW,X2				
	510	QYTDST2610Z	SCREW,X3 DRUM				
△	511	LP20262-003H	BOTTOM CHASSIS				
	514	LP30312-001B	BRACKET(CHASSIS)				
	515	QYTDSF3010Z	SCREW,X2				
	516	QYTDSF4012Z	SCREW,MECHA				
	517	QYTDSF3010Z	SCREW,X2 MECHA				
	518	LP40369-001D	CLEANER ASSY				
	518A	PQ46418-1-2	CLEANER ROLLER				
	518B	PQ46419-1-2	CLEANER				
	518C	LP30407-001D	CLEANER ARM				
	522	LP40226-001A	PC SUPPORT,X2				
△	523	QMPK070-120-JC	POWER CORD,P185EE/P54A				
△		QMPR240-120-JD	POWER CORD,P100A				
	524	LP40253-001B	STOPPER				
	525	PQ40413	SPECIAL SCREW,MECHA				
	526	QYTDSF3010Z	SCREW,MAIN				
	WR1	QUQ212-0518CG	FFC WIRE,DRUM CN3002				
	WR2	WJT0005-002A	E-CARD WIRE,A/C HEAD CN2001				

5.3 MECHANISM ASSEMBLY <M4>



Classification	Part No.	Symbol in drawing
Grease	KYODO-SH-P	AA
Oil	COSMO-HV56	BB

NOTE:The section marked in **AA** and **BB** indicate lubrication and greasing areas.

#	△ REF No.	PART No.	PART NAME, DESCRIPTION	#	△ REF No.	PART No.	PART NAME, DESCRIPTION

MECHANISM ASSEMBLY <M4>							
1		LP20821-006A	MAIN DECK ASSY	74		LP40109-003D	TENSION BRAKE ASSY
3		LP30492-002B	GIDE POLE GUARD	75		PQ46302-1-3	ADJUST PIN
4		NAH0001-001	FULL ERASE HEAD	76		LP30232-002A	TENSION ARM BEARING
5		LP40098-001B	GUIDE POLE(SUPPLY)	78		LP40532-008B	MAIN BRAKE ASSY (SUPPLY)
6		QYTDST2608Z	SCREW,FE HEAD	80		LP40111-011A	MAIN BRAKE ASSY (TAKE UP)
7		LP40637-002A	TENSION STUD BASE ASSY	81		LP30003-026A	TENSION SPRING
10		QYTDST2606Z	SCREW	82		LP40112-001F	SUB BRAKE ASSY(TAKE UP)
11		LP30409-002C	UV CATCHER 2	83		LP40357-002A	TENSION SPRING
12		LP30409-002C	UV CATCHER 2	84		LP40461-001A	CAPSTAN BRAKE ASSY
13		QYTPST2606Z	SCREW,X2	85		QAR0087-005	CAPSTAN MOTOR
15		LP30223-003C	LOADING ARM GEAR SHAFT	86		QYTDST2606M	SCREW,X3
16		QYTDST2606Z	SCREW	87		LP30005-007A	BELT,CAPSTAN MOTOR
18		LP30224-001B	LOADING ARM GEAR(SUPPLY)	88		LP40114-007B	IDLER ARM ASSY
19		LP40099-001A	TORSION ARM	89		LP30016-001A	SLIT WASHER
20		LP40100-001A	PIN	90		LP40593-001A	CLUTCH UNIT 3
21		LP40101-006A	POLE BASE ASSY(SUPPLY)	92		PQM30017-47	SLIT WASHER
22		QYSPSTG2606Z	SCREW	93		LP40446-002B	CLUTCH GEAR 1
23		LP40103-002B	LOADING ARM GEAR(TAKE UP)	95		LP40554-001A	COMPRESSION SPRING
24		LP40099-001A	TORSION ARM	96		LP40442-001A	DIRECT GEAR
25		LP40100-001A	PIN	97		LP30017-019A	SPACER,CLUCH GEAR1
26		LP40104-006A	POLE BASE ASSY(TAKE UP)	99		LP40483-002A	COMPRESSION SPRING
27		QYSPSTG2606Z	SCREW	100		LP30016-001A	SLIT WASHER
31		LP20233-004B	ROTARY ENCODER GUIDE	102		LP40484-001J	CHANGE LEVER ASSY
32		QYTPST2606Z	SCREW	103		LP40512-002B	COMPRESSION SPRING
34		LP30226-004E	CONTROL PLATE GUIDE	104		LP30236-002B	IDLER LEVER
35		QYTPST2605Z	SCREW	105		LP20237-001B	REEL DISK (SUPPLY)
36		LP30249-003B	TAKE UP LEVER	106		LP20238-001B	REEL DISK (TAKE UP)
37		LP30003-006A	TENSION SPRING	107		LP30017-015A	SPACER,X2
38		LP40119-002A	TAKE UP HEAD	108		QSW0554-003	ROTARY ENCODER
39		LP20234-004B	LID GUIDE	109		QYTPST2620Z	SCREW
40		QYTDST2606Z	SCREW,X2	110		LP30237-002B	CASSETTE GEAR
42		LP40105-002A	PINCH ROLLER ARM ASSY	111		LP30239-002G	LIMIT GEAR(1)
43		LP40478-001A	PINCH ROLLER SHEET2	112		LP30240-002G	LIMIT GEAR(2)
44		LP40148-002A	TORSION SPRING	113		LP40136-001E	TORSION SPRING
46		LP40149-001C	PRESS LEVER ASSY	114		LP30242-002A	RELAY GEAR
47		LP30016-002A	SLIT WASHER	115		LP30339-002E	OPENER GUIDE
49		LP40106-007A	GUIDE ARM ASSY	116		LP40545-001A	TORSION SPRING
51		LP40134-001C	TENSION SPRING	117		LP40214-001B	C.H.BRACKET
52		QAH0058-001	AC HEAD	118		PQM30017-47	SLIT WASHER,X2
53		LP30228-001A	HEAD BASE	119		LP30243-001D	DRIVE GEAR
54		LP30004-013A	COMPRESSION SPRING,X3	120		LP20240-001G	DRIVE ARM
55		LP40236-001A	COMPRESSION SPRING	121		LP40137-001A	TORSION SPRING
57		LP40213-002B	SPECIAL SCREW,X3	122		LP10081-002L	SIDE HOLDER(L)
58		QYTDST2608Z	SCREW,X2	123		LP10082-002M	SIDE HOLDER(R)
59		QAR0023-001	LOADING MOTOR	124		LP30255-006A	LOCK LEVER(L)
60		PQ43546-1-2	MOTOR PULLEY	127		LP30256-001H	LOCK LEVER(R)
61		LP30230-001B	MOTOR GUIDE	128		LP40168-003A	TORSION SPRING(L)
62		QYTPSP3003Z	SCREW,X2	129		LP40218-001B	TORSION SPRING(R)
63		LP30005-003A	BELT,LOADING MOTOR	130		LP30257-001G	CASSETTE HOLDER
64		LP20791-002D	CONTROL CAM	132		LP30244-002G	GUIDE RAIL
65		PQM30017-24	SLIT WASHER	134		LP30245-002F	REC SAFETY LEVE
66		LP40120-001A	WORM GEAR	135		LP30003-004A	TENSION SPRING
67		LP40107-002A	LINK LEVER ASSY	137		LP20578-001C	TOP GUIDE
68		PQM30017-24	SLIT WASHER	138		LP30500-001C	HOLD PLATE
69		LP10201-003E	CONTROL PLATE	139		LP40450-003A	PAD,X2
70		LP40379-001B	CONTROL BRACKET(1)	140		LP30003-025B	TENSION SPRING
71		QYTDST2608M	SCREW	141		LP30003-024A	TENSION SPRING
72		LP40108-002A	TENSION ARM ASSY	142		LP40481-003A	ROLLER CAM ASSY
73		LP30003-010A	TENSION SPRING	143		LP30019-014A	PAD,X2
				151		LP20324-003B	DOOR OPENER

5.4 ELECTRICAL PARTS LIST

#	△ REF No.	PART No.	PART NAME, DESCRIPTION

MAIN BOARD ASSEMBLY <03>			
PW1		LPA10124-01C1	MAIN BOARD ASSY,P100A/P54A
		LPA10124-02C1	MAIN BOARD ASSY,P185EE
IC1		JCP8021-MVD-2	IC
IC3001		MN101D02GAC	IC
IC3002		BA6956AN	IC
IC3004		AT24C01A-10PC	IC
		or 24LC01B/P	IC
IC5301		L5431	IC
		or MM1431AT	IC
IC7002		GP1U291Q	IR DETECT UNIT
		or PIC-28143LJ	IR DETECT UNIT
		or PNA4652M00YC	IR DETECT UNIT
Q12		2SA1576A/QR/-X	TRANSISTOR
		or 2SB1218A/QR/-X	TRANSISTOR
		or 2PA1576/R/-X	TRANSISTOR
Q22		2SC4081/QRS/-X	TRANSISTOR
		or 2SD1819A/QRS/-X	TRANSISTOR
		or 2PC4081/R/-X	TRANSISTOR
Q38		2SC4081/QRS/-X	TRANSISTOR
		or 2PC4081/R/-X	TRANSISTOR
		or 2SD1819A/QRS/-X	TRANSISTOR
Q202		2SC4081/QRS/-X	TRANSISTOR
Q901		2SA1576A/QR/-X	TRANSISTOR
		or 2PA1576/R/-X	TRANSISTOR
Q2001		2SC4081/QRS/-X	TRANSISTOR
		or 2SD1819A/QRS/-X	TRANSISTOR
		or 2PC4081/R/-X	TRANSISTOR
Q2002		2SC4081/QRS/-X	TRANSISTOR
		or 2PC4081/R/-X	TRANSISTOR
		or 2SD1819A/QRS/-X	TRANSISTOR
Q2003		DTA144WU	TRANSISTOR
		or PDA144WU	TRANSISTOR
		or RN2309	TRANSISTOR
		or UN511E	TRANSISTOR
Q2051		2SC4081/QRS/-X	TRANSISTOR
		or 2SD1819A/QRS/-X	TRANSISTOR
		or 2PC4081/R/-X	TRANSISTOR
Q2052		2SA1576A/QR/-X	TRANSISTOR
		or 2PA1576/R/-X	TRANSISTOR
		or 2SB1218A/QR/-X	TRANSISTOR
Q2053		DTC144WU	TRANSISTOR
		or RN1309	TRANSISTOR
		or UN521E	TRANSISTOR
Q2054		2SA1576A/QR/-X	TRANSISTOR
		or 2PA1576/R/-X	TRANSISTOR
		or 2SB1218A/QR/-X	TRANSISTOR
Q2055		DTC144WU	TRANSISTOR
		or RN1309	TRANSISTOR
		or UN521E	TRANSISTOR
Q3001		PTZ-NV16A	PHOTO TRANSISTOR
Q3002		PTZ-NV16A	PHOTO TRANSISTOR
Q3003		2SC4081/QRS/-X	TRANSISTOR
Q3013		DTC143EU	TRANSISTOR
Q3014		DTC143EU	TRANSISTOR
Q3015		2SC4081/QRS/-X	TRANSISTOR
Q3016		2SC4081/QRS/-X	TRANSISTOR
Q4001		DTC114EU	TRANSISTOR

#	△ REF No.	PART No.	PART NAME, DESCRIPTION
		or PDT114EU	TRANSISTOR
		or RN1302	TRANSISTOR
		or UN5211	TRANSISTOR
Q4002		2SD1819A/QRS/-X	TRANSISTOR
		or 2SC4081/QRS/-X	TRANSISTOR
		or 2PC4081/R/-X	TRANSISTOR
Q5101		2SK2632-CB14	POWER MOS FET
		or 2SK2632	POWER MOS FET
		or 2SK2129	POWER MOS FET
		or 2SK2129-LT	POWER MOS FET
Q5102		2SD2144S/UV/-T	TRANSISTOR
Q5302		2SD2375/QP/	TRANSISTOR
Q5303		2SD1819A/RS/-X	TRANSISTOR
		or 2PC4081/R/-X	TRANSISTOR
		or 2SC4081/RS/-X	TRANSISTOR
Q5304		2SC3616/ML/-T	TRANSISTOR
Q5305		DTA114EU	TRANSISTOR
		or PDA114EU	TRANSISTOR
		or RN2302	TRANSISTOR
		or UN5111	TRANSISTOR
Q5306		DTC114EU	TRANSISTOR
		or PDT114EU	TRANSISTOR
		or RN1302	TRANSISTOR
		or UN5211	TRANSISTOR
D3001		LNB2301L01VI	LE DIODE
D3002		1SS133	DIODE
		or 1SS270A	DIODE
D3004		11ES2	DIODE
		or 1A3G	DIODE
D3007		RD3.9ES/B2/-T2	ZENER DIODE
		or MTZJ3.9B	ZENER DIODE
D4003		1SS133	DIODE
D5001		S1WB/A/60-4102	BRIDGE DIODE
		or S1WB/A/60-X	BRIDGE DIODE
		or S1WB(A)60F4072X	BRIDGE DIODE
D5101		AU01	FR DIODE
		or ERA18-04-T2	FR DIODE
		or 1SR153-400-T2	FR DIODE
		or 10ELS4	FR DIODE
D5102		AU01	FR DIODE
		or ERA18-04-T2	FR DIODE
		or 1SR153-400-T2	FR DIODE
		or 10ELS4	FR DIODE
D5103		1SS133	DIODE
		or 1SS270A	DIODE
D5105		1SS133	DIODE
		or 1SS270A	DIODE
D5203		AU01Z	FR DIODE
		or ERA18-02-T2	FR DIODE
		or PG104RS	FR DIODE
		or 1SR153-400-T2	FR DIODE
		or 10ELS2	FR DIODE
D5204		AU01Z	FR DIODE
		or PG104RS	FR DIODE
		or 1SR153-400-T2	FR DIODE
		or 10ELS2	FR DIODE
		or ERA18-02-T2	FR DIODE
D5207		AK04	DIODE
		or 1S4	SB DIODE
		or 11EQS04	SB DIODE
D5210		AU01Z	FR DIODE

#	△ REF No.	PART No.	PART NAME, DESCRIPTION	#	△ REF No.	PART No.	PART NAME, DESCRIPTION	
		or ERA18-02-T2	FR DIODE	R2055		NRSA02J-3R3X	MG RESISTOR	3.3Ω,1/10W
		or 10ELS2	FR DIODE	R2056		NRSA02J-820X	MG RESISTOR	82Ω,1/10W
		or 1SR153-400-T2	FR DIODE	R2057		NRSA02J-473X	MG RESISTOR	47kΩ,1/10W
		or PG104RS	FR DIODE	R2058		NRSA02J-183X	MG RESISTOR	18kΩ,1/10W
D5301		MTZJ15A	ZENER DIODE	R2059		NRSA02J-473X	MG RESISTOR	47kΩ,1/10W
		or RD15ES/B1/-T2	ZENER DIODE	R2060		NRSA02J-183X	MG RESISTOR	18kΩ,1/10W
D5303		RD5.1JS/B2/-T2	ZENER DIODE	R2603		NRSA02J-101X	MG RESISTOR	100Ω,1/10W
		or MA4051N/M/-T2	ZENER DIODE	R3001		NRSA02J-0R0X	MG RESISTOR	0Ω,1/10W
D5304		1SS133	DIODE	R3002		NRSA02J-0R0X	MG RESISTOR	0Ω,1/10W
		or 1SS270A	DIODE	R3005		NRSA02J-0R0X	MG RESISTOR	0Ω,1/10W
D5305		11ES2	DIODE	R3017		NRSA02J-0R0X	MG RESISTOR	0Ω,1/10W
		or 1A3G	DIODE	R3018		NRSA02J-0R0X	MG RESISTOR	0Ω,1/10W
		or ERA15-02-T2	DIODE	R3035		NRSA02J-0R0X	MG RESISTOR	0Ω,1/10W
D6050		HZ30-2L-T2	ZENER DIODE	R3056		NRSA02J-0R0X	MG RESISTOR	0Ω,1/10W
		or HZ30-2LTD	Z DIODE (M)	R3057		NRSA02J-0R0X	MG RESISTOR	0Ω,1/10W
R1		NRSA02J-682X	MG RESISTOR	6.8kΩ,1/10W	R3201	NRSA02J-103X	MG RESISTOR	10kΩ,1/10W
R2		NRSA02J-152X	MG RESISTOR	1.5kΩ,1/10W	R3202	NRSA02J-472X	MG RESISTOR	4.7kΩ,1/10W
R3		NRSA02J-822X	MG RESISTOR	8.2kΩ,1/10W	R3203	NRSA02J-103X	MG RESISTOR	10kΩ,1/10W
R6		NRSA02J-273X	MG RESISTOR	27kΩ,1/10W	R3204	NRSA02J-222X	MG RESISTOR	2.2kΩ,1/10W
R7		NRSA02J-681X	MG RESISTOR	680Ω,1/10W	R3205	NRSA02J-562X	MG RESISTOR	5.6kΩ,1/10W
R8		NRSA02J-0R0X	MG RESISTOR	0Ω,1/10W	R3206	NRSA02J-103X	MG RESISTOR	10kΩ,1/10W
R9		NRSA02J-0R0X	MG RESISTOR	0Ω,1/10W	R3207	NRSA02J-103X	MG RESISTOR	10kΩ,1/10W
R37		NRSA02J-0R0X	MG RESISTOR	0Ω,1/10W	R3208	NRSA02J-103X	MG RESISTOR	10kΩ,1/10W
R42		NRSA02J-681X	MG RESISTOR	680Ω,1/10W	R3209	NRSA02J-181X	MG RESISTOR	180Ω,1/10W
R44		NRSA02J-822X	MG RESISTOR	8.2kΩ,1/10W	R3210	NRSA02J-183X	MG RESISTOR	18kΩ,1/10W
R45		NRSA02J-103X	MG RESISTOR	10kΩ,1/10W	R3211	NRSA02J-183X	MG RESISTOR	18kΩ,1/10W
R46		NRSA02J-331X	MG RESISTOR	330Ω,1/10W	R3212	NRSA02J-181X	MG RESISTOR	180Ω,1/10W
R49		NRSA02J-561X	MG RESISTOR	560Ω,1/10W	R3213	NRSA02J-273X	MG RESISTOR	27kΩ,1/10W
R71		NRSA02J-0R0X	MG RESISTOR	0Ω,1/10W	R3214	NRSA02J-181X	MG RESISTOR	180Ω,1/10W
R77		NRSA02J-103X	MG RESISTOR	10kΩ,1/10W	R3215	NRSA02J-273X	MG RESISTOR	27kΩ,1/10W
R90		NRSA02J-391X	MG RESISTOR	390Ω,1/10W	R3216	NRSA02J-474X	MG RESISTOR	470kΩ,1/10W
R92		NRSA02J-152X	MG RESISTOR	1.5kΩ,1/10W	R3217	NRSA02J-334X	MG RESISTOR	330kΩ,1/10W
R93		NRSA02J-222X	MG RESISTOR	2.2kΩ,1/10W	R3219	NRSA02J-103X	MG RESISTOR	10kΩ,1/10W
R95		NRSA02J-472X	MG RESISTOR	4.7kΩ,1/10W	R3220	NRSA02J-562X	MG RESISTOR	5.6kΩ,1/10W
R104		NRSA02J-682X	MG RESISTOR	6.8kΩ,1/10W	R3221	NRSA02J-682X	MG RESISTOR	6.8kΩ,1/10W
R201		NRSA02J-332X	MG RESISTOR	3.3kΩ,1/10W	R3223	NRSA02J-105X	MG RESISTOR	1MΩ,1/10W
R202		NRSA02J-222X	MG RESISTOR	2.2kΩ,1/10W	R3224	NRSA02J-101X	MG RESISTOR	100Ω,1/10W
R203		NRSA02J-101X	MG RESISTOR	100Ω,1/10W	R3225	NRSA02J-471X	MG RESISTOR	470Ω,1/10W
R204		NRSA02J-101X	MG RESISTOR	100Ω,1/10W	R3226	NRSA02J-103X	MG RESISTOR	10kΩ,1/10W
R210		NRSA02J-332X	MG RESISTOR	3.3kΩ,1/10W	R3227	NRSA02J-103X	MG RESISTOR	10kΩ,1/10W
R211		NRSA02J-0R0X	MG RESISTOR	0Ω,1/10W	R3228	NRSA02J-681X	MG RESISTOR	680Ω,1/10W
R901		NRSA02J-750X	MG RESISTOR	75Ω,1/10W	R3229	NRSA02J-331X	MG RESISTOR	330Ω,1/10W
R904		QRE121J-331Y	RESISTOR	330Ω,1/2W	R3237	NRSA02J-222X	MG RESISTOR	2.2kΩ,1/10W
R905		NRSA02J-101X	MG RESISTOR	100Ω,1/10W	R3238	NRSA02J-222X	MG RESISTOR	2.2kΩ,1/10W
R911		NRSA02J-750X	MG RESISTOR	75Ω,1/10W	R4001	NRSA02J-222X	MG RESISTOR	2.2kΩ,1/10W
R2003		NRSA02J-102X	MG RESISTOR	1kΩ,1/10W	R4002	NRSA02J-223X	MG RESISTOR	22kΩ,1/10W
R2004		NRSA02J-392X	MG RESISTOR	3.9kΩ,1/10W	R4003	NRSA02J-222X	MG RESISTOR	2.2kΩ,1/10W
R2007		NRSA02J-473X	MG RESISTOR	47kΩ,1/10W	R4004	NRSA02J-0R0X	MG RESISTOR	0Ω,1/10W
R2010		NRSA02J-682X	MG RESISTOR	6.8kΩ,1/10W	R4006	NRSA02J-472X	MG RESISTOR	4.7kΩ,1/10W
R2012		NRSA02J-153X	MG RESISTOR	15kΩ,1/10W	R4010	NRSA02J-471X	MG RESISTOR	470Ω,1/10W
R2013		NRSA02J-682X	MG RESISTOR	6.8kΩ,1/10W	R4011	NRSA02J-471X	MG RESISTOR	470Ω,1/10W
R2014		NRSA02J-224X	MG RESISTOR	220kΩ,1/10W	R4012	NRSA02J-153X	MG RESISTOR	15kΩ,1/10W
R2015		NRSA02J-151X	MG RESISTOR	150Ω,1/10W	R4013	NRSA02J-0R0X	MG RESISTOR	0Ω,1/10W
R2016		NRSA02J-473X	MG RESISTOR	47kΩ,1/10W	R4018	NRSA02J-103X	MG RESISTOR	10kΩ,1/10W
R2017		NRSA02J-183X	MG RESISTOR	18kΩ,1/10W	R4019	NRSA02J-102X	MG RESISTOR	1kΩ,1/10W
R2018		NRSA02J-472X	MG RESISTOR	4.7kΩ,1/10W	R4020	NRSA02J-102X	MG RESISTOR	1kΩ,1/10W
R2019		NRSA02J-472X	MG RESISTOR	4.7kΩ,1/10W	R4021	NRSA02J-103X	MG RESISTOR	10kΩ,1/10W
R2020		NRSA02J-332X	MG RESISTOR	3.3kΩ,1/10W	R4022	NRSA02J-472X	MG RESISTOR	4.7kΩ,1/10W
R2021		NRSA02J-153X	MG RESISTOR	15kΩ,1/10W	R4024	NRSA02J-103X	MG RESISTOR	10kΩ,1/10W
R2053		NRSA02J-682X	MG RESISTOR	6.8kΩ,1/10W	R4025	NRSA02J-472X	MG RESISTOR	4.7kΩ,1/10W
R2054		NRSA02J-123X	MG RESISTOR	12kΩ,1/10W	R5101	QRE141J-224Y	RESISTOR	220kΩ,1/4W

#	△ REF No.	PART No.	PART NAME, DESCRIPTION	#	△ REF No.	PART No.	PART NAME, DESCRIPTION
R5102	QRE141J-224Y		RESISTOR 220kΩ,1/4W	C19	QEKJ1HM-225		E CAPACITOR 2.2μF,50V
R5103	QRE141J-683Y		RESISTOR 68kΩ,1/4W	C21	NCB21EK-104X		CAPACITOR 0.1μF,25V
R5104	QRG02GJ-683		OMF RESISTOR 68kΩ,2W	C22	QEKJ0JM-476		E CAPACITOR 47μF,6.3V
R5106	QRT01DJ-R39X		MF RESISTOR 0.39Ω,1W	C23	NCB21EK-104X		CAPACITOR 0.1μF,25V
R5107	QRE121J-331Y		RESISTOR 330Ω,1/2W	C24	NCB21EK-104X		CAPACITOR 0.1μF,25V
R5108	NRSA02J-681X		MG RESISTOR 680Ω,1/10W	C25	NDC21HJ-6R0X		CAPACITOR 6pF,50V
R5109	QRE141J-681Y		RESISTOR 680Ω,1/4W	C26	NCB21EK-104X		CAPACITOR 0.1μF,25V
R5110	NRSA02J-224X		MG RESISTOR 220kΩ,1/10W	C27	NCB21HK-223X		CAPACITOR 0.022μF,50V
R5111	NRSA02J-561X		MG RESISTOR 560Ω,1/10W	C28	QEKJ1HM-335		E CAPACITOR 3.3μF,50V
R5112	NRSA02J-221X		MG RESISTOR 220Ω,1/10W	C29	NCB21EK-333X		CAPACITOR 0.033μF,25V
R5302	NRSA02J-102X		MG RESISTOR 1kΩ,1/10W	C30	QEKJ1HM-474		E CAPACITOR 0.47μF,50V
R5303	NRSA02J-122X		MG RESISTOR 1.2kΩ,1/10W	C31	QEKJ0JM-476		E CAPACITOR 47μF,6.3V
R5304	NRSA02J-471X		MG RESISTOR 470Ω,1/10W	C32	NCB21HK-103X		CAPACITOR 0.01μF,50V
R5305	NRSA02J-102X		MG RESISTOR 1kΩ,1/10W	C33	QEKJ1HM-225		E CAPACITOR 2.2μF,50V
R5306	NRSA02J-471X		MG RESISTOR 470Ω,1/10W	C34	NCB21EK-224X		CAPACITOR 0.22μF,25V
R5308	NRSA02J-471X		MG RESISTOR 470Ω,1/10W	C35	NCB21HK-103X		CAPACITOR 0.01μF,50V
R5309	NRSA02J-103X		MG RESISTOR 10kΩ,1/10W	C36	QEKJ1EM-475		E CAPACITOR 4.7μF,25V
R5310	NRSA02J-471X		MG RESISTOR 470Ω,1/10W	C37	QEKJ1EM-475		E CAPACITOR 4.7μF,25V
R5311	NRSA02J-473X		MG RESISTOR 47kΩ,1/10W	C38	QEKJ0JM-476		E CAPACITOR 47μF,6.3V
R5312	NRVA02D-302X		CMF RESISTOR 3kΩ,1/10W	C39	NCB21EK-104X		CAPACITOR 0.1μF,25V
R5313	NRVA02D-222X		CMF RESISTOR 2.2kΩ,1/10W	C40	QEKJ1CM-106		E CAPACITOR 10μF,16V
R5314	NRSA02J-222X		MG RESISTOR 2.2kΩ,1/10W	C54	NCB21HK-103X		CAPACITOR 0.01μF,50V
R5333	QRL02DJ-391X		OMF RESISTOR 390Ω,2W	C62	NCB21EK-104X		CAPACITOR 0.1μF,25V
R5334	QRL02DJ-391X		OMF RESISTOR 390Ω,2W	C64	NDC21HJ-220X		CAPACITOR 22pF,50V
R6050	NRSA02J-0R0X		MG RESISTOR 0Ω,1/10W	C65	QEKJ1HM-105		E CAPACITOR 1μF,50V
R6051	NRSA02J-101X		MG RESISTOR 100Ω,1/10W	C81	NCB21HK-103X		CAPACITOR 0.01μF,50V
R6053	NRSA02J-101X		MG RESISTOR 100Ω,1/10W	C106	NCB21HK-821X		CAPACITOR 820pF,50V
R6054	NRSA02J-152X		MG RESISTOR 1.5kΩ,1/10W	C108	NDC21HJ-221X		CAPACITOR 220pF,50V
R6055	NRSA02J-103X		MG RESISTOR 10kΩ,1/10W	C109	NCB21EK-224X		CAPACITOR 0.22μF,25V
R7010	NRSA02J-0R0X		MG RESISTOR 0Ω,1/10W	C110	NDC21HJ-820X		CAPACITOR 82pF,50V
R7011	NRSA02J-0R0X		MG RESISTOR 0Ω,1/10W	C201	QERF0JM-476		E CAPACITOR 47μF,6.3V
R7020	NRSA02J-103X		MG RESISTOR 10kΩ,1/10W	C202	NCB21EK-104X		CAPACITOR 0.1μF,25V
R7021	NRSA02J-122X		MG RESISTOR 1.2kΩ,1/10W	C203	QEKJ1HM-105		E CAPACITOR 1μF,50V
R7022	NRSA02J-182X		MG RESISTOR 1.8kΩ,1/10W	C205	NDC21HJ-101X		CAPACITOR 100pF,50V
R7023	NRSA02J-222X		MG RESISTOR 2.2kΩ,1/10W	C207	NCF21CZ-105X		CAPACITOR 1μF,16V
R7024	NRSA02J-272X		MG RESISTOR 2.7kΩ,1/10W	C209	NCB21HK-103X		CAPACITOR 0.01μF,50V
R7025	NRSA02J-472X		MG RESISTOR 4.7kΩ,1/10W	C210	NCB21HK-222X		CAPACITOR 0.0022μF,50V
R7030	NRSA02J-103X		MG RESISTOR 10kΩ,1/10W	C211	NCB21HK-103X		CAPACITOR 0.01μF,50V
R7031	NRSA02J-122X		MG RESISTOR 1.2kΩ,1/10W	C212	NDC21HJ-271X		CAPACITOR 270pF,50V
R7032	NRSA02J-182X		MG RESISTOR 1.8kΩ,1/10W	C213	NCB21HK-103X		CAPACITOR,P100A/P54A 0.01μF,50V
R7033	NRSA02J-222X		MG RESISTOR 2.2kΩ,1/10W	C901	QETN0JM-477		E CAPACITOR 470μF,6.3V
R7034	NRSA02J-272X		MG RESISTOR 2.7kΩ,1/10W	C903	QEKJ1CM-476		E CAPACITOR 47μF,16V
R7035	NRSA02J-472X		MG RESISTOR 4.7kΩ,1/10W	C904	NCB21EK-104X		CAPACITOR 0.1μF,25V
R7036	NRSA02J-682X		MG RESISTOR 6.8kΩ,1/10W	C2001	QEKJ1EM-475		E CAPACITOR 4.7μF,25V
R7037	NRSA02J-473X		MG RESISTOR 47kΩ,1/10W	C2002	QEKJ1HM-105		E CAPACITOR 1μF,50V
C1	NCB21HK-103X		CAPACITOR 0.01μF,50V	C2003	QEKCOJM-476		E CAPACITOR 47μF,6.3V
C2	NCB21HK-103X		CAPACITOR 0.01μF,50V	C2005	QEKJ1EM-475		E CAPACITOR 4.7μF,25V
C5	QEKJ1CM-476		E CAPACITOR 47μF,16V	C2006	NCB21HK-123X		CAPACITOR 0.012μF,50V
C6	NCB11EK-104X		CAPACITOR 0.1μF,25V	C2007	QEKJ1CM-226		E CAPACITOR 22μF,16V
C7	NCB21HK-471X		CAPACITOR 470pF,50V	C2008	QEKJ1EM-475		E CAPACITOR 4.7μF,25V
C8	NCB21EK-104X		CAPACITOR 0.1μF,25V	C2009	NCB21HK-102X		CAPACITOR 0.001μF,50V
C9	NCB21HK-103X		CAPACITOR 0.01μF,50V	C2010	NCB21HK-152X		CAPACITOR,P100A/P54A 0.0015μF,50V
C10	NDC21HJ-151X		CAPACITOR 150pF,50V	C2011	QEKJ1EM-475		E CAPACITOR 4.7μF,25V
C11	NCB21EK-104X		CAPACITOR 0.1μF,25V	C2012	QEKJ1EM-475		E CAPACITOR 4.7μF,25V
C12	NDC21HJ-470X		CAPACITOR 47pF,50V	C2051	QCB11HJ-331		CAPACITOR 330pF,50V
C13	NCB21HK-103X		CAPACITOR 0.01μF,50V	C2052	QFV91HJ-823		F CAPACITOR 0.082μF,50V
C14	NCB21EK-104X		CAPACITOR 0.1μF,25V	C2053	NCB21HK-472X		CAPACITOR 0.0047μF,50V
C15	NCB21HK-103X		CAPACITOR 0.01μF,50V	C2054	NCB21HK-223X		CAPACITOR 0.022μF,50V
C16	NCB21EK-104X		CAPACITOR 0.1μF,25V	C2055	QEKJ1CM-106		E CAPACITOR 10μF,16V
C17	QEKJ1HM-335		E CAPACITOR 3.3μF,50V	C3001	NCB21EK-104X		CAPACITOR 0.1μF,25V
C18	QEKJ1HM-105		E CAPACITOR 1μF,50V	C3002	NCB21HK-103X		CAPACITOR 0.01μF,50V

#	△ REF No.	PART No.	PART NAME, DESCRIPTION
R7005		NRSA02J-331X	MG RESISTOR 330Ω,1/10W
HD1		PQM30038-1-2	LED HOLDER,D7004
HD2		PQM30038-1-2	LED HOLDER,D7005
CN7011		QGB2530K1-03	CONNECTOR,(1-3)MAIN

AUDIO CONTROL HEAD BOARD ASSEMBLY <12>

PW1	LP10122-01A1	A/C HEAD BOARD ASSY
CN1	QGF1208F1-07	FPC CONNECTOR

LOADING MOTOR BOARD ASSEMBLY <55>

PW2	LP10122-01A2	LOADING MOTOR BOARD ASSY
CN1	QGB2533K1-02	CONNECTOR

#	△ REF No.	PART No.	PART NAME, DESCRIPTION
---	-----------	----------	------------------------